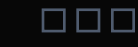


ISLAND AND HORIZONTAL



GANDER 4



A
R
N
E
G



AN ISLAND OF EFFICIENCY.

Efficiency, easy access, transparency, versatility and maximum freedom for customisation.

Gander 4 closed, plug-in islands with sliding glass covers are ideal for self-service sales of a wide range of products, from frozen foods in the LT/NT version to meat, dairy and other products in the NT version.

QUALITY WITHIN EASY REACH.

With its G2 and G4 sliding glass covers, these islands offer a panoramic view of the products on display. In addition, easy access from all sides combines with maximum transparency to encourage impulse buying and optimise the presentation of the latest promotions.



- Maximum transparency
- Excellent product visibility
- High load capacity



— GAS —
R290
— —




HIGH-PERFORMANCE, SUSTAINABLE REFRIGERATION.

R290 natural gas gives Gander 4 islands low environmental impact combined with excellent performance.



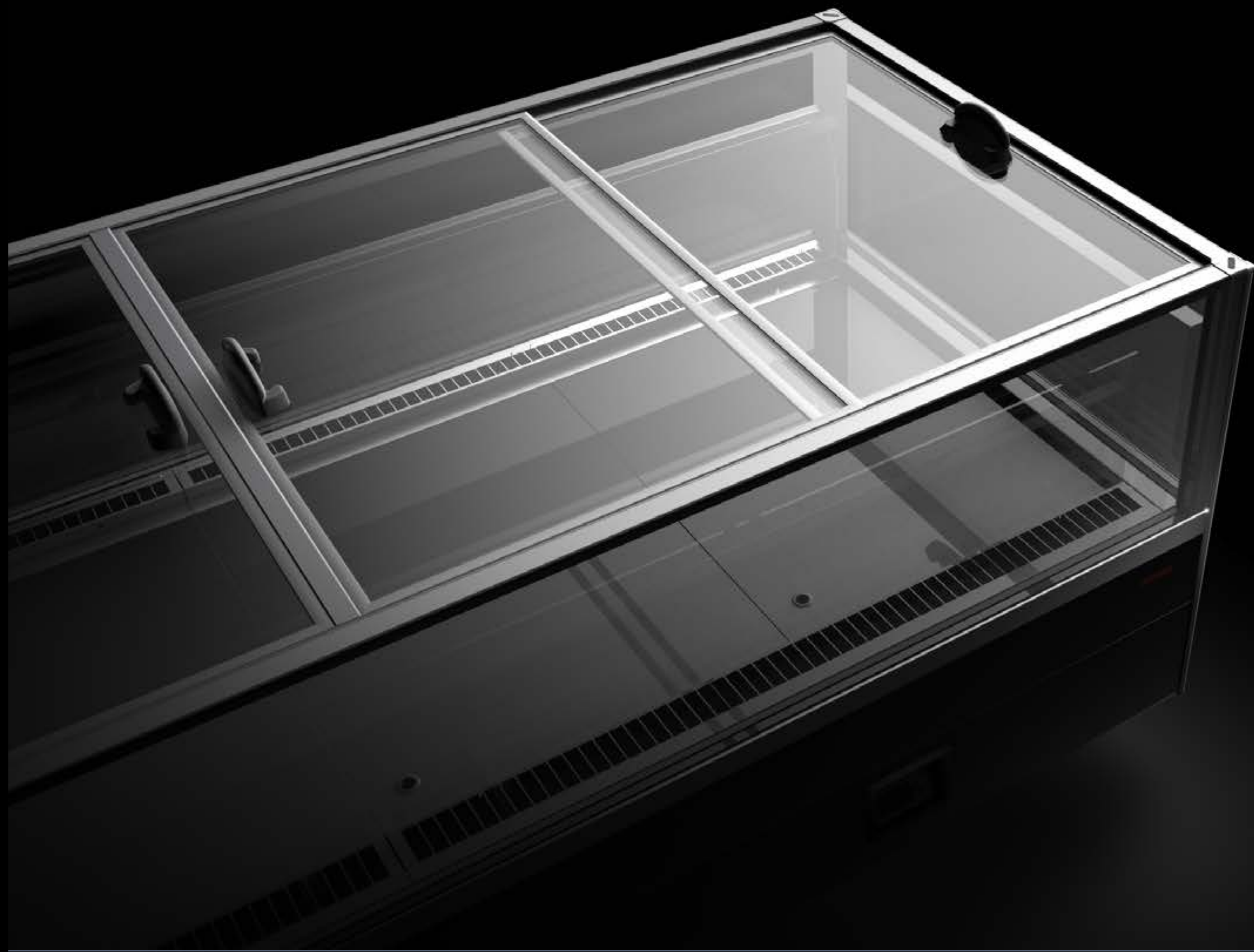
VERSATILE DIMENSIONS.

To facilitate the organisation of space and satisfy multiple display needs, Gander 4 comes in 6 different lengths (880, 1200, 1500, 1800, 2000 and 2400 mm) and the 2000 mm version can even be used as an end unit.

SPACE FOR STYLE AND COMMUNICATION.

The bottom panels can be customised to match the style of your store's décor and can be easily changed to suit the latest promotions. Gander 4 is therefore a useful and effective communication tool too.





- **Energy saving thanks to R290 refrigerant.**
- **Ergonomic design for easy access to products.**
- **Different working temperatures.**
- **Maximum freedom for customisation.**



1

ACCESSORIES

- 1 - Island wheels kit
- 2 - Rectangular bumper



2



3



5



4



6

3 - Wire basins partitions

4 - Bottom grilles

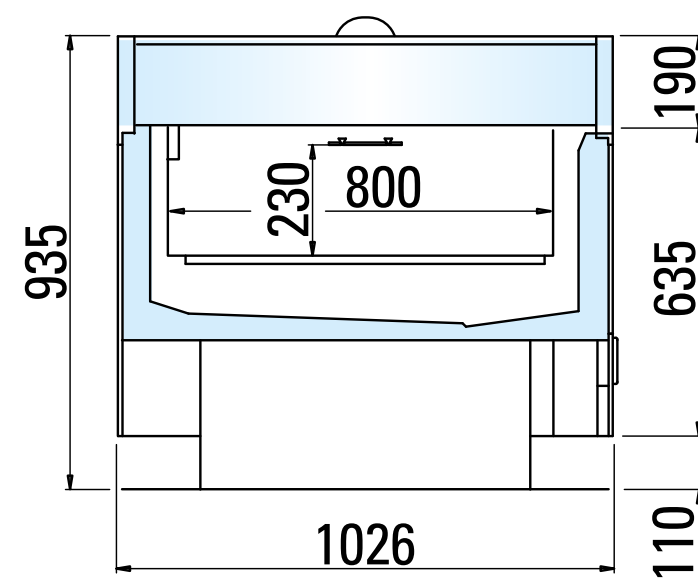
5 - LED Light

6 - Sliding covers

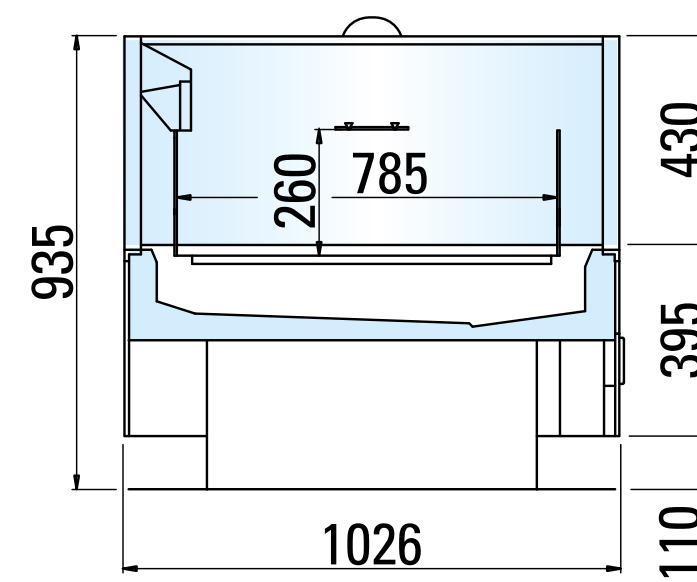
GANDER 4 ISL-C-1 BT V LINEARE I

External length (mm)	1026		1345		1645		1945		2135	2545	
Height of glass front	G2	G4	G2	G4	G2	G4	G2	G4	G4	G2	G4
Temperature class	3L1	•	•	•	•	•	•	•	•	•	•
Preservation temperature (°C)	-22/-25	•	•	•	•	•	•	•	•	•	•
Refrigerant	R290	•	•	•	•	•	•	•	•	•	•
Horizontal display area* (m²)	0,7	0,69	0,96	0,94	1,2	1,18	1,44	1,41	1,56	1,92	1,88
Energy class**	A+ G D		A+ G D		A+ G D		A+ G D		A+ G D	A+ G D	

*Value referred to illustrated configurations. **The energy class may vary depending on the product configuration.








G2

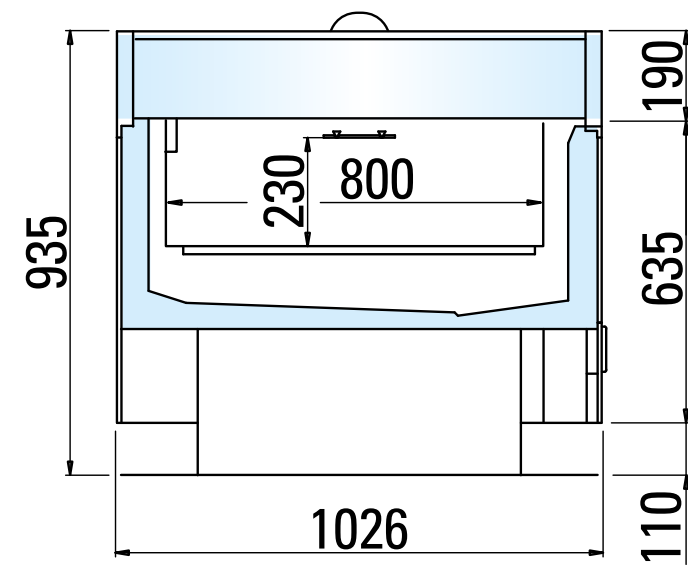


G4

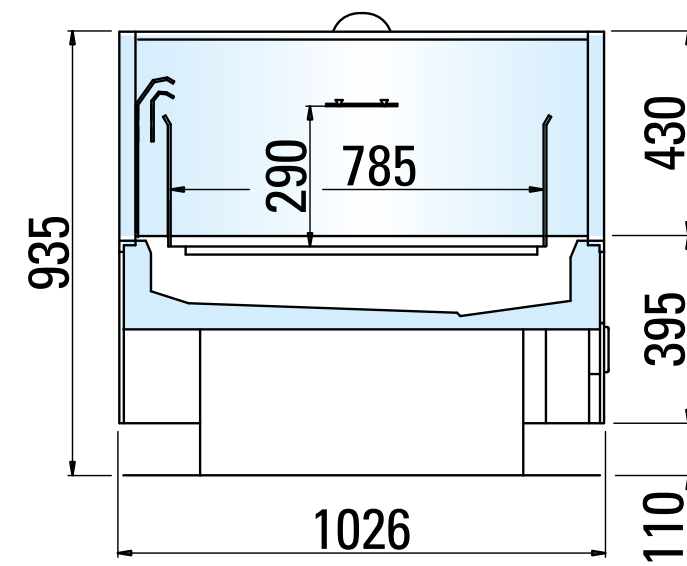
GANDER 4 ISL-C-1 TN V LINEARE I

External length (mm)	1354	1645		1945		2135	2545	
Height of glass front	G4	G2	G4	G2	G4	G4	G2	G4
Temperature class	3M1	•	•	•	•	•	•	•
Preservation temperature (°C)	0/+2	•	•	•	•	•	•	•
Refrigerant	R290	•	•	•	•	•	•	•
Horizontal display area* (m²)	0,94	1,2	1,18	1,44	1,41	1,56	1,92	1,88
Energy class**								

*Value referred to illustrated configurations. **The energy class may vary depending on the product configuration.



G2



G4

ED. 00 - 21/04/2023

arneg[®]

WWW.ARNEG.COM



Arneg follows a policy of continuous improvement and reserves the right to update this document at any time without prior notice.