

SERVE-OVER COUNTER AND SEMI-VERTICAL

□□□

# ARLES



A  
R  
N  
E  
G

# THE ATTRACTION OF TRANSPARENCY.

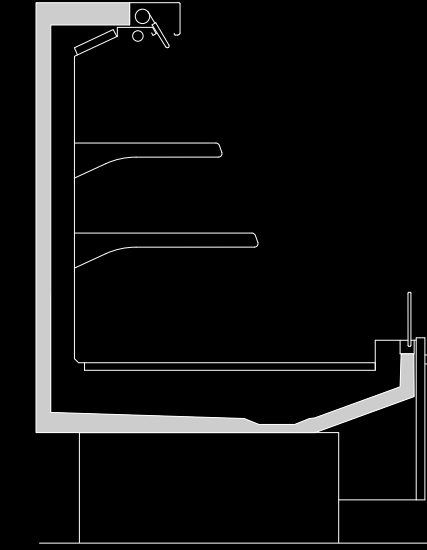
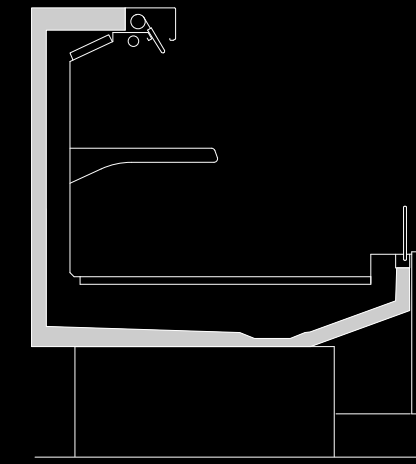
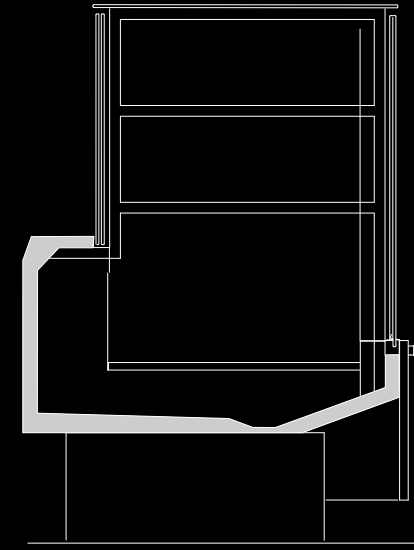
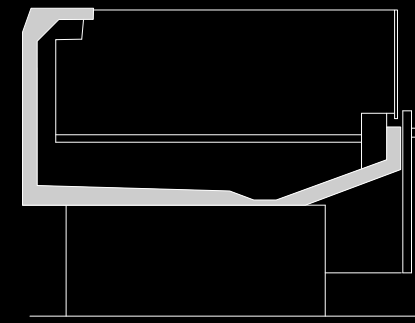
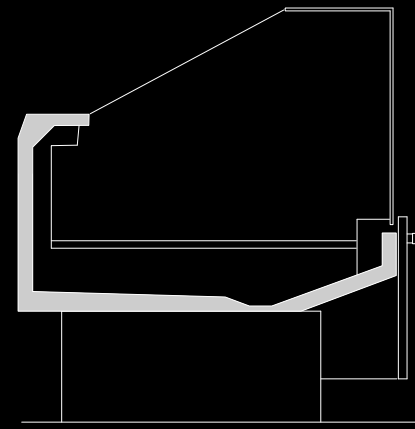
The **Arles** line of counters features minimalist design. A structure free from metal pillars exploits the glass surfaces to the full and provides a complete, panoramic view of the products on display. **Arles** displays are completely transparent and remove all visual barriers between your customers and your products.





- Linear design
- Pillar-free glass
- Foods in clear view

# 10 MODULES, 7 LENGTHS, ENDLESS COMBINATIONS.



**Arles** counters can be multiplexed, accessorised and their finish completely customised. Modules can be assembled to suit the space available and arranged to meet the needs of the store.





- Optimised use of space
- Flexible, functional compositions
- Configurations can be modified over time

# MULTIFUNCTIONAL EFFICIENCY.

Their amazing versatility makes **Arles** refrigerated counters ideal for serve-over and self-service applications.

- Semi-vertical cabinet
- Serve-over solutions
- Self-service solutions
- Tower version



# THE RIGHT TEMPERATURE FOR ALL FOODS.



Their impressive technical characteristics make **Arles** counters the perfect choice for preserving a wide range of food products, both hot and cold.

Innovative **Arles Smart Air** technology simplifies the work of operators. Designed for butchery sections, the **Smart Air** version maintains exactly the right temperature and humidity at all times. This allows meat to be left in the display overnight, saving a great deal of time and effort by eliminating the need to move it to dedicated cold rooms. Meat can be kept in these displays for days without losing its flavour, aroma, texture and attractiveness.

# DAYTIME PRESERVATION, NIGHTTIME PROTECTION.





- Optimised furnishing costs and times
- Less work for operators
- Maximum energy efficiency

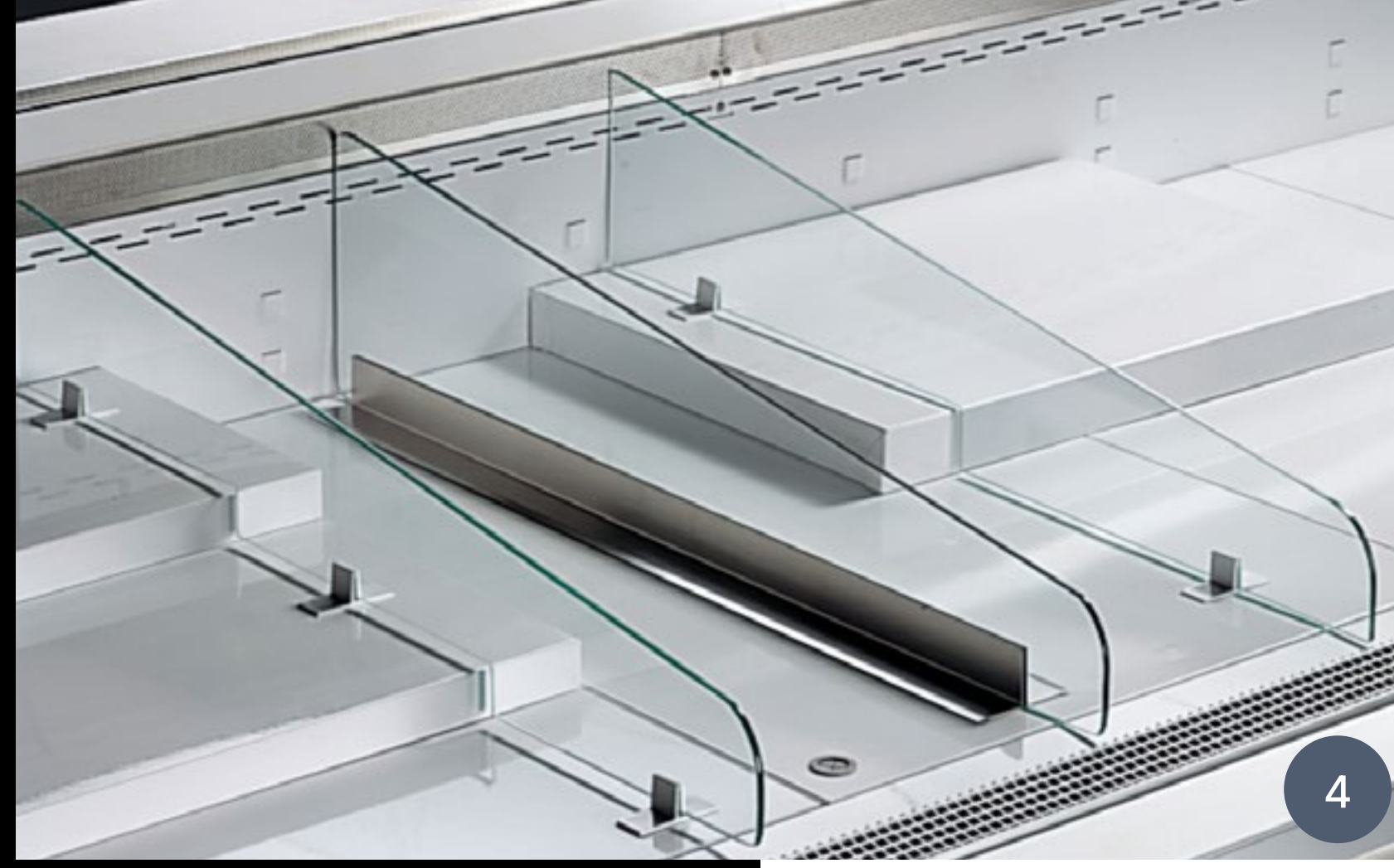


# ACCESSORIES

1 - Bread grille

2 - Paper holder





3 - 3-step stainless-steel tray

4 - Glass basin partitions

5 - 2-step stainless-steel tray



6 - Polythene cutting board

7 - Slicer holder

8 - Sliding polythene cutting board

9 - Bag hook





10 - Self-service night blind

11 - Sliding stainless-steel shelf

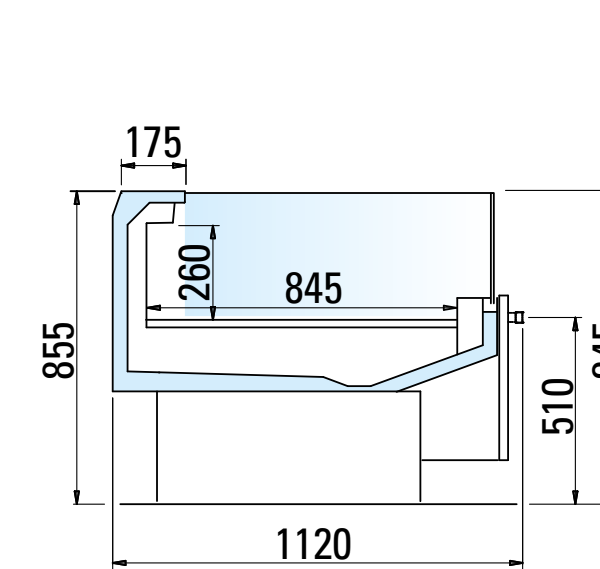
12 - Scales holder

13 - Knife holder

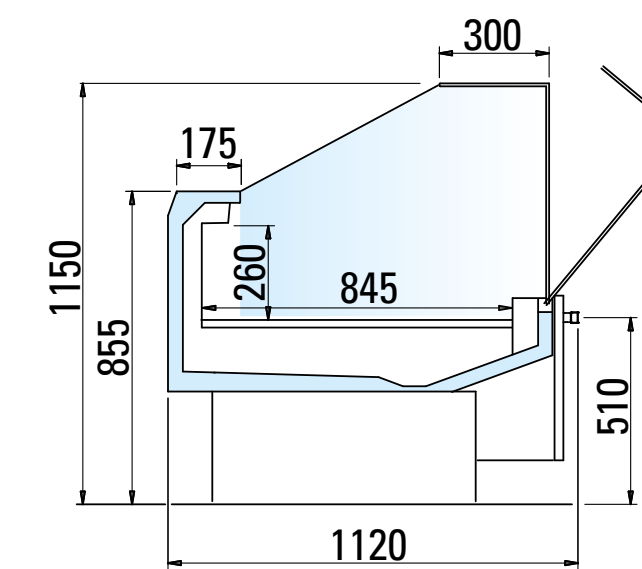


ARLES VETR TN V LINEARE R

Length without side panels (mm)		<b>937</b>	<b>1250</b>	<b>1562</b>	<b>1875</b>	<b>2500</b>	<b>3125</b>	<b>3750</b>
Temperature class	3M1	•	•	•	•	•	•	•
	3M2	•	•	•	•	•	•	•
Preservation temperature (°C)	0/+2	•	•	•	•	•	•	•
	+2/+4	•	•	•	•	•	•	•
Horizontal display area* (m <sup>2</sup> )		0,79	1,06	1,32	1,58	2,11	2,64	3,17
Energy class**								



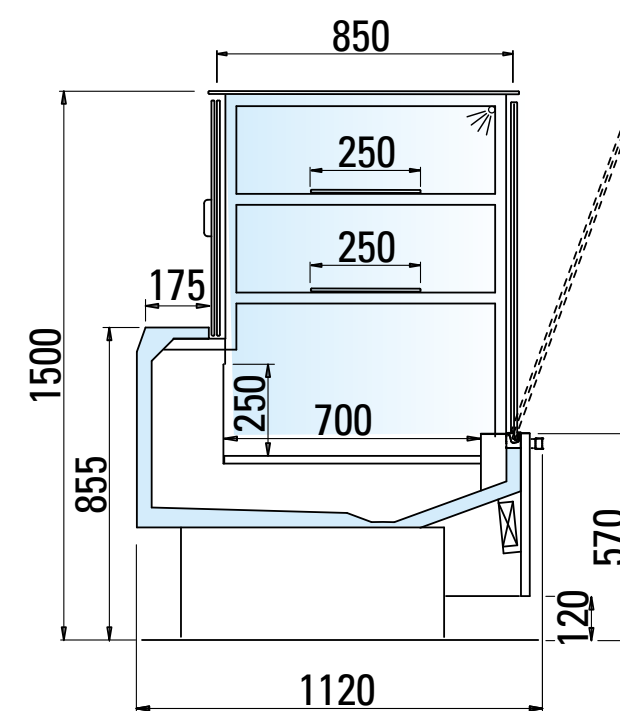
SELF 84



VDB 84

ARLES VETR TN V LINEARE R TH

Length without side panels (mm)		<b>937</b>	<b>1250</b>
Temperature class	3M1	•	•
	3M2	•	•
Preservation temperature (°C)	0/+2	•	•
	+2/+4	•	•
Horizontal display area* (m <sup>2</sup> )		0,79	1,5
Energy class**			

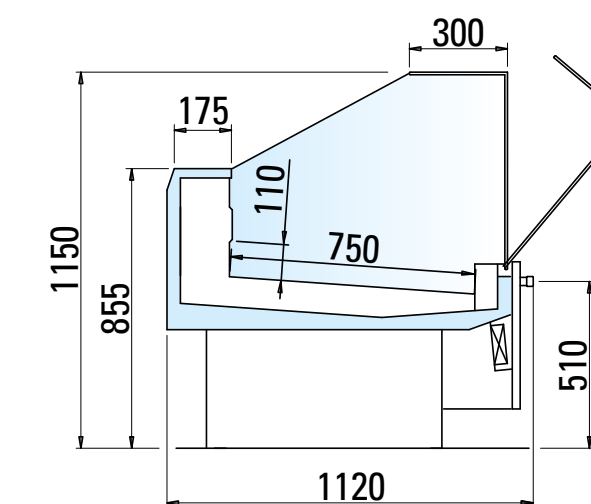


TH 84

ARLES VETR-FH TN S LINEARE R

Length without side panels (mm)		<b>3750</b>
Temperature class	3M1	•
Preservation temperature (°C)	0/+2	•
Horizontal display area* (m <sup>2</sup> )		2,81

Model not subject to energy labelling.



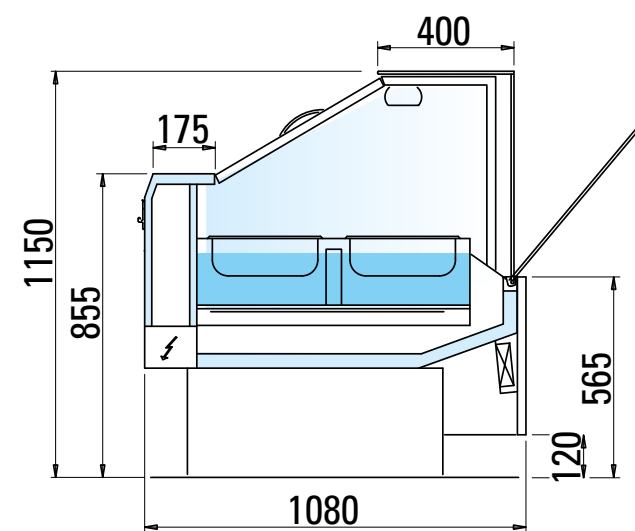
VDB 83

\*Value referred to illustrated configurations. \*\*The energy class may vary depending on the product configuration.

ARLES VETR-BM TC LINEARE

Length without side panels (mm)		<b>937</b>	<b>1250</b>
Preservation temperature (°C)	<b>+65</b>	•	•
Horizontal display area* (m <sup>2</sup> )		0,54	0,76

Model not subject to energy labelling.

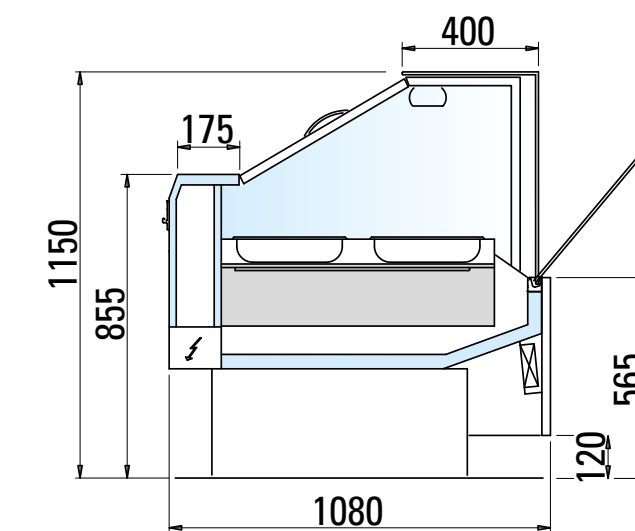


**VDB 77**

ARLES VETR-PW TC LINEARE

Length without side panels (mm)		<b>937</b>	<b>1250</b>
Preservation temperature (°C)	<b>+65</b>	•	•
Horizontal display area* (m <sup>2</sup> )		0,54	0,76

Model not subject to energy labelling.

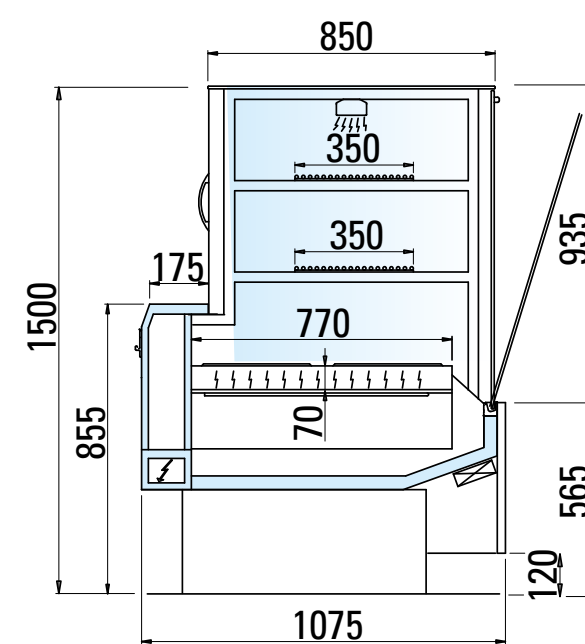


**VDB 77**

ARLES VETR-PW TC LINEARE TH

Length without side panels (mm)		<b>937</b>	<b>1250</b>
Preservation temperature (°C)	<b>+65</b>	•	•
Horizontal display area* (m <sup>2</sup> )		1,25	1,71

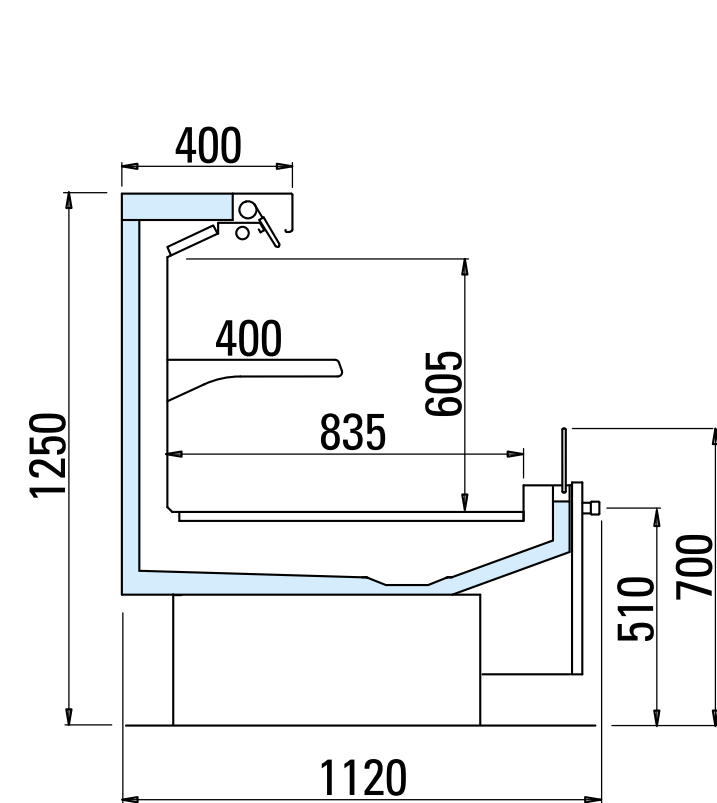
Model not subject to energy labelling.



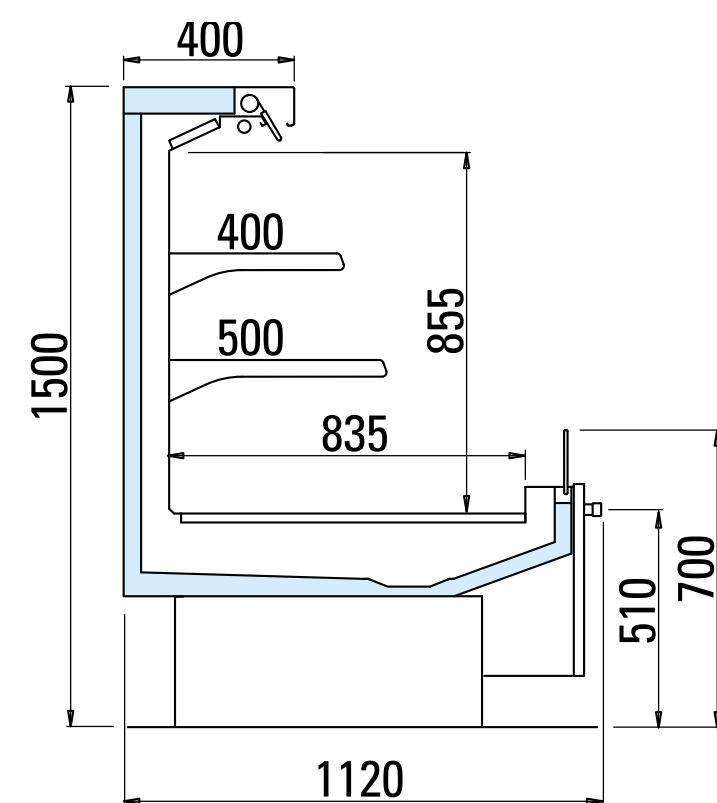
**TH 77**

ARLES SVT-A-1 TN V LINEARE R

Length without side panels (mm)		937		1250		1875		2500		3125		3750	
Height (cm)		125	150	125	150	125	150	125	150	125	150	125	150
Temperature class	3M0	•	•	•	•	•	•	•	•	•	•	•	•
	3M1	•	•	•	•	•	•	•	•	•	•	•	•
Preservation temperature (°C)	0/+2	•	•	•	•	•	•	•	•	•	•	•	•
	+2/+4	•	•	•	•	•	•	•	•	•	•	•	•
Horizontal display area* (m <sup>2</sup> )		1,16	1,63	1,16	1,63	1,16	1,63	1,16	1,63	1,16	1,63	1,16	1,63
Energy class**		E		E		E		E		E		E	



83 H125



83 H150

ED. 00 - 20/02/2023

**arneg**<sup>®</sup>

[WWW.ARNEG.COM](http://WWW.ARNEG.COM)



Arneg follows a policy of continuous improvement and reserves the right to update this document at any time without prior notice.